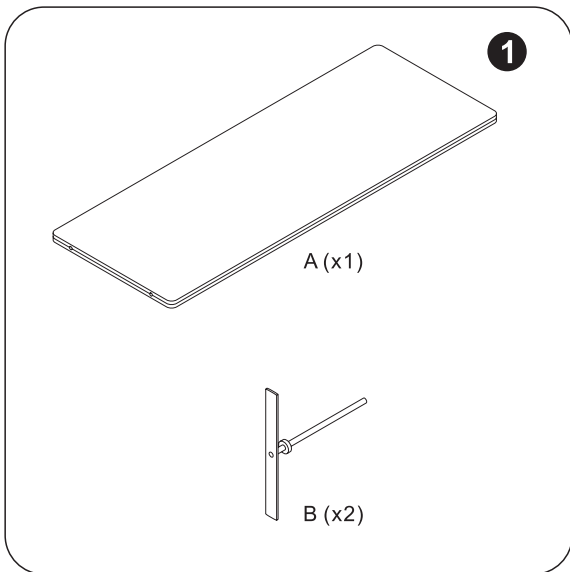
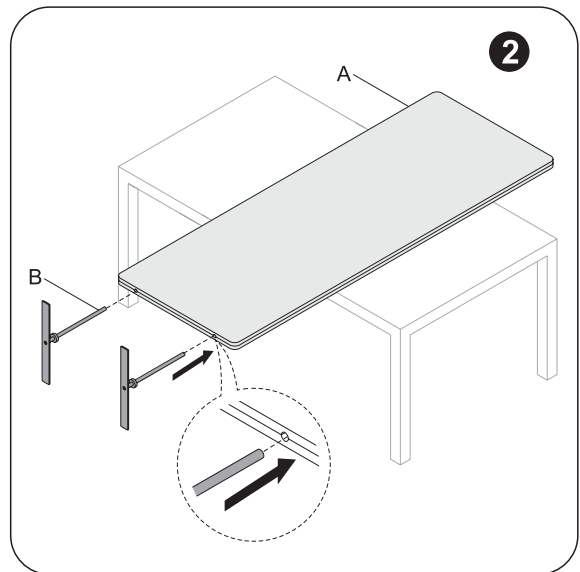


Instruction Manual

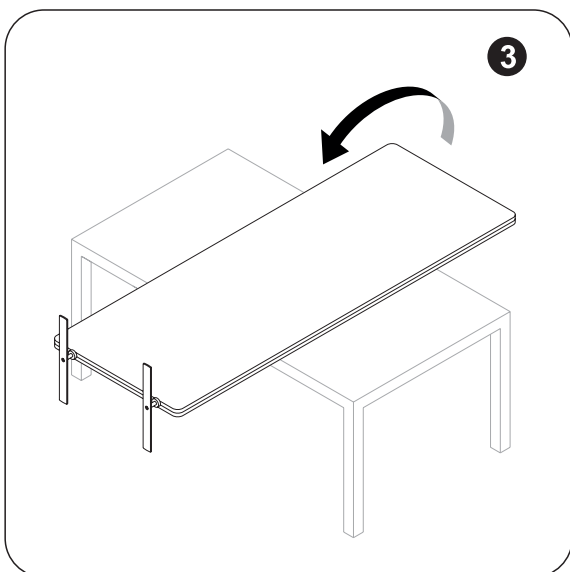
Acoustic Panel 162x60cm
Grey



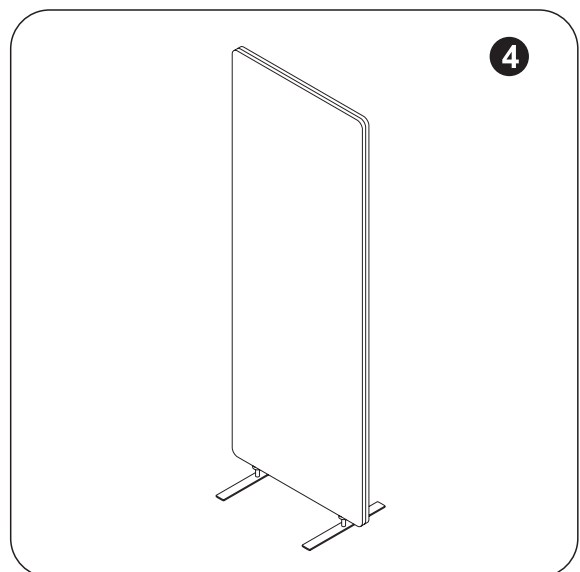
All accessories needed.



Please read all instructions before installation. Start by laying the Room Divider Panel on a large, flat, stable surface. Find the pre-drilled holes in the bottom of the divider. Take the set of feet that came with the product and slide them in until the round disk on the foot is up against the Divider Panel.



Very carefully rotate Divider Panel off of flat surface into a standing position on the floor. For best results, make sure feet are flat and even against the floor.



Final effect display.